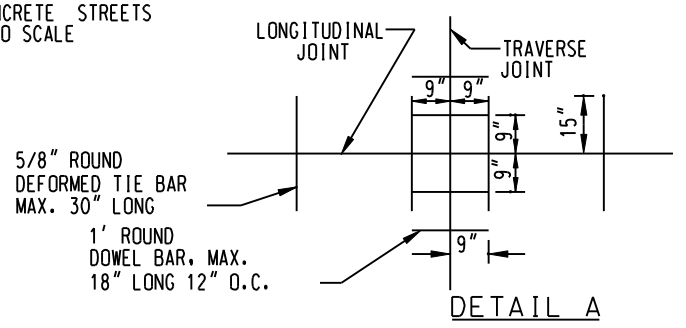
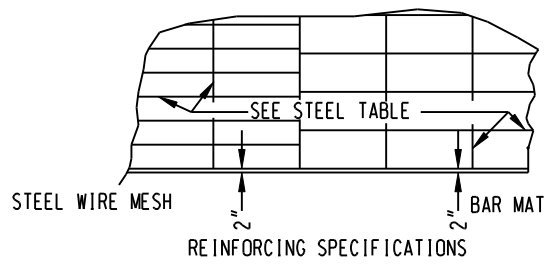


JOINT LAYOUT
FOR CONCRETE STREETS
NO SCALE



STEEL TABLE				
	STEEL WIRE MESH		BAR MAT #	
	TRANS-VERSE	LONGI-TUDINAL	TRANS-VERSE	LONGI-TUDINAL
SIZE OF WIRE OR BAR	#4 GAGE	#00 GAGE	#3	#3
SPACING	12"	6"	24"	7" MAX.
#STEEL WIRE OR STEEL BARS				

SEE SHEET 4 FOR
DETAIL OF JOINTS
AT INTERSECTION

REVISIONS

STANDARDS FOR
STREET IMPROVEMENTS
JOINT LAYOUT AND
REINFORCING
SPECIFICATIONS FOR
CONCRETE STREET
BASE AND PAVEMENT
CITY OF DAYTON, OHIO
NO SCALE 14A-17113