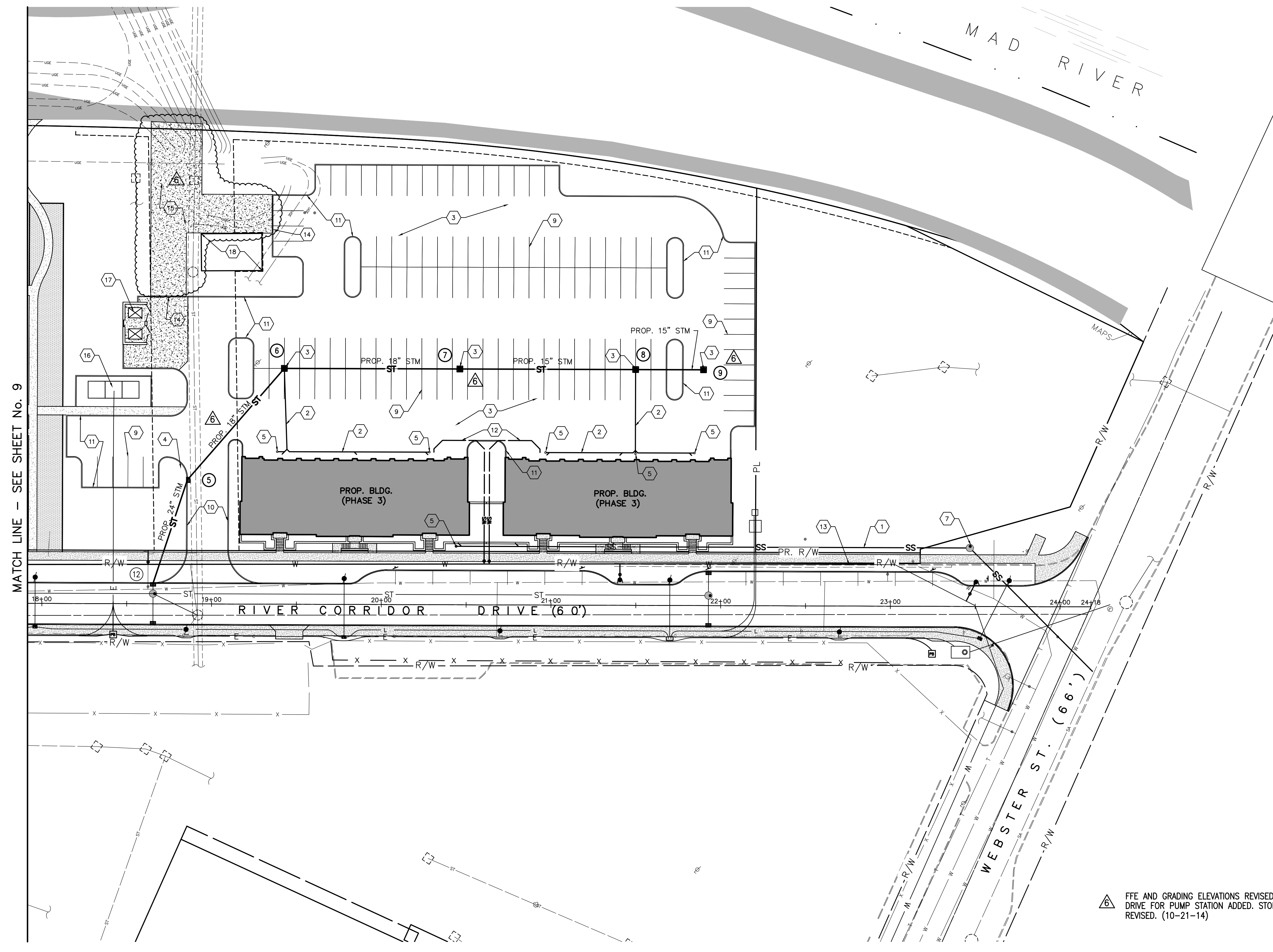


Drawing: M:\1061001_WaterSt\Production Drawings\00 Plans-Phase 2\Utility Plan.dwg Saved on: 10-21-14 15:08 Revised by: cdm - L Scale: 1.00 - Plot scale: 1" = 30' / PS



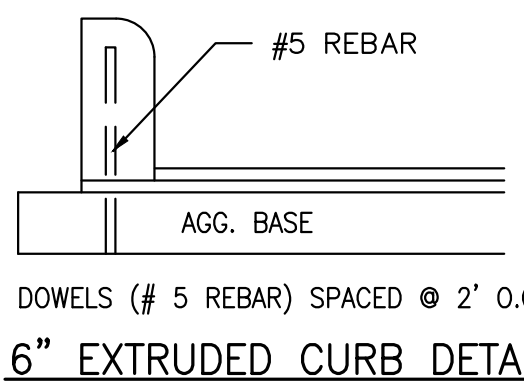
LIGHT DUTY PAVEMENT DESIGN
 ITEM 448 - 1-1/2" Asphalt Concrete, Surface Course, Medium Traffic, PG 64-22
 ITEM 448 - 1-1/2" Asphalt Concrete, Intermediate Course, Medium Traffic, PG 70-22M
 ITEM 304 - 8" Aggregate Base

HEAVY DUTY PAVEMENT DESIGN
 ITEM 448 - 1-1/2" Asphalt Concrete, Surface Course, Medium Traffic, PG 64-22
 ITEM 448 - 2-1/2" Asphalt Concrete, Intermediate Course, Medium Traffic, PG 70-22M
 ITEM 304 - 12" Aggregate Base

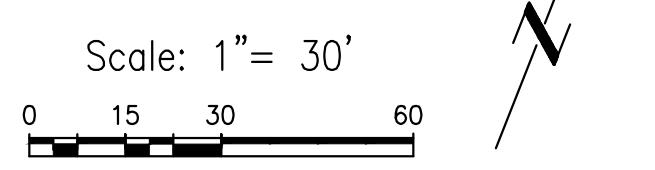
CONCRETE PAVEMENT DESIGN
 ITEM 452 - 8" Non-Reinforced Concrete Pavement
 ITEM 304 - 4" Aggregate Base

KEYED NOTES (PHASE 3)

- 1 PROP. 8" SANITARY LATERAL @ 2.08% MIN. SLOPE. (E.O.S. ELEV @ BLDG. - 43.69)
- 2 PROP. 8" DOWNSPOUT @ 1.0% MIN. SLOPE
- 3 PROP. CATCH BASIN
- 4 PROP. CURB & GUTTER INLET
- 5 CLEANOUT FOR DOWNSPOUT
- 6 CLEANOUT FOR SANITARY SERVICE
- 7 SANITARY SEWER MANHOLE
- 8 PROP. ASPHALT PAVEMENT
- 9 PROP. STRIPING
- 10 PROP. STRAIGHT 18" CURB
- 11 PROP. EXTRUDED CURB
- 12 PROP. 2" WATER SERVICE
- 13 PROP. 12" WATERLINE (BY OTHERS)
- 14 PROP. MOUNTABLE CURB
- 15 PROP. CONCRETE DRIVE
- 16 PROP. TRANSFORMER
- 17 PROP. DUMPSTER
- 18 EX. PUMP STATION



6 FFE AND GRADING ELEVATIONS REVISED. ACCESS DRIVE FOR PUMP STATION ADDED. STORM SEWER REVISED. (10-21-14)



REVISIONS	DATE	BY	CHK.

E. P. FERRIS AND ASSOCIATES INC.
 Consulting Civil Engineers and Surveyors

CONTACT:
 880 KING AVENUE
 COLUMBUS, OHIO 43212
 (614) 299-2999
 (614) 299-2992 (Fax)
 www.EPFERRIS.com

CITY OF DAYTON, OHIO

Water Street Development - Phase 2

CRAWFORD HOYING DEVELOPMENT/WOODARD REAL ESTATE RESOURCES

JOB NO.	1061.01
DESIGNED BY:	MEF
DRAWN BY:	CDM
CHECKED BY:	MEF
APPROVED BY:	
DATE:	10/21/14

UTILITY PLAN

SCALE: 1" = 30'

SHEET NO.	OF
10	14