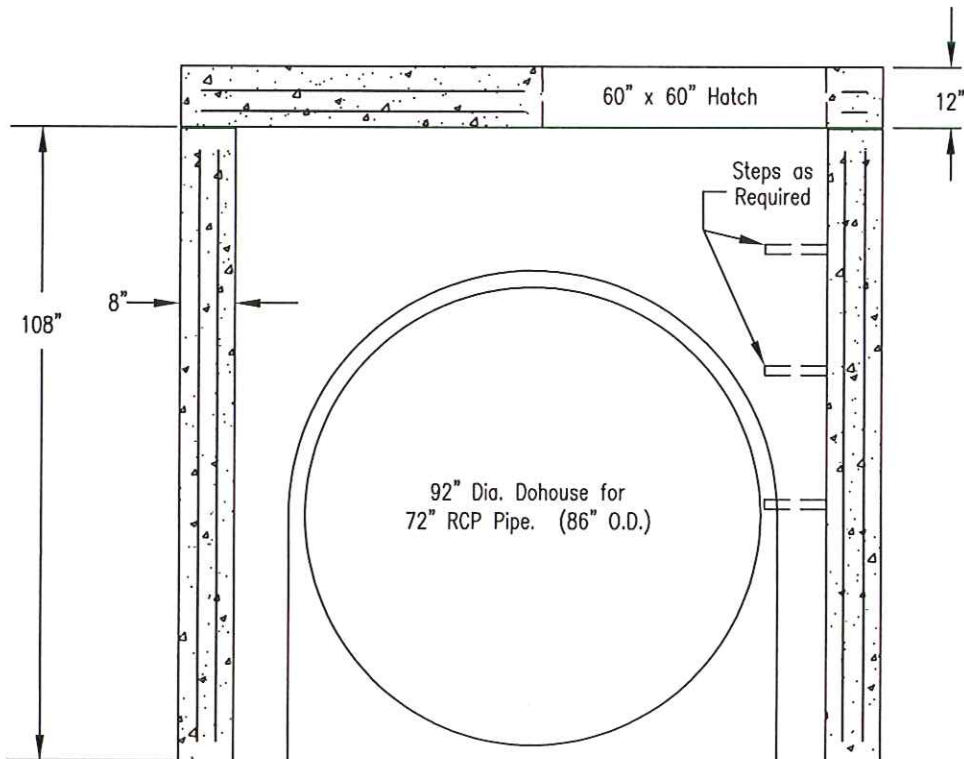
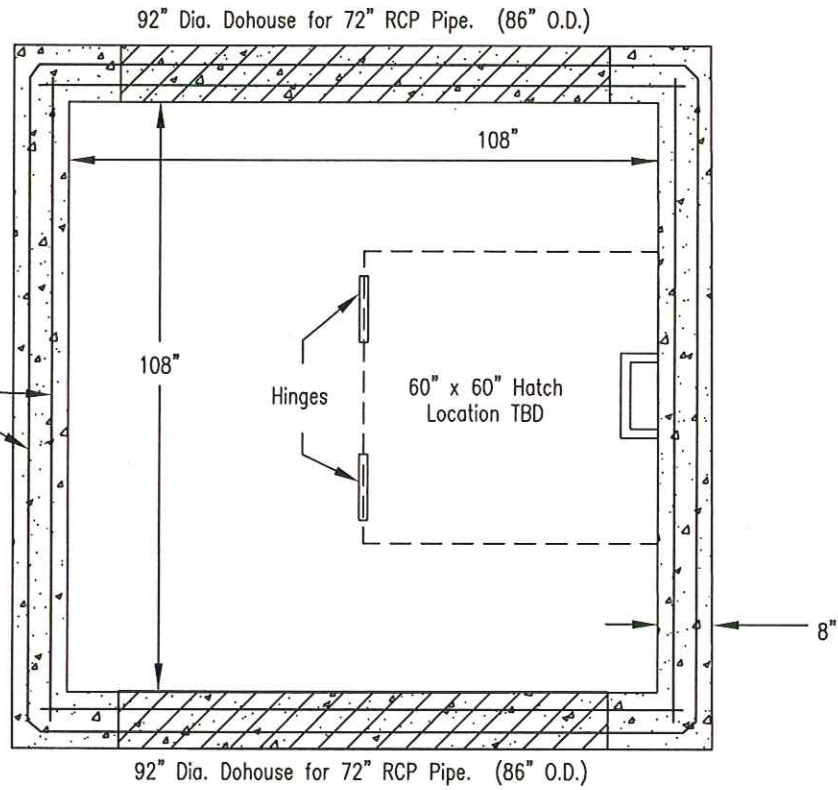


2 LAYERS
6X6 D7.5&D7.5
Steel Reinforcing
(Typical on 8" Walls)



422-SHP-2R

Bluffton Precast Concrete Company

8950 North Dixie Highway • Bluffton, Ohio 45817
ph (419) 358-6946 • (419) 358-6258 fax

LUCILLE DRIVE - 9' x 9' STRUCTURE

Drawn By: BJW	Issued Date:	Customer:
Scale: NTS	Created Date: 1/19/10	Dwg. No.
		REV 2