

APPENDIX A

City of Dayton Ottawa WTP-Filter Console BOM .pdf

City of Dayton Ottawa WTP Filter Console Control Wiring Schematic.pdf

Bill Woeste
City of Dayton Dept. of Water
March 24, 2021

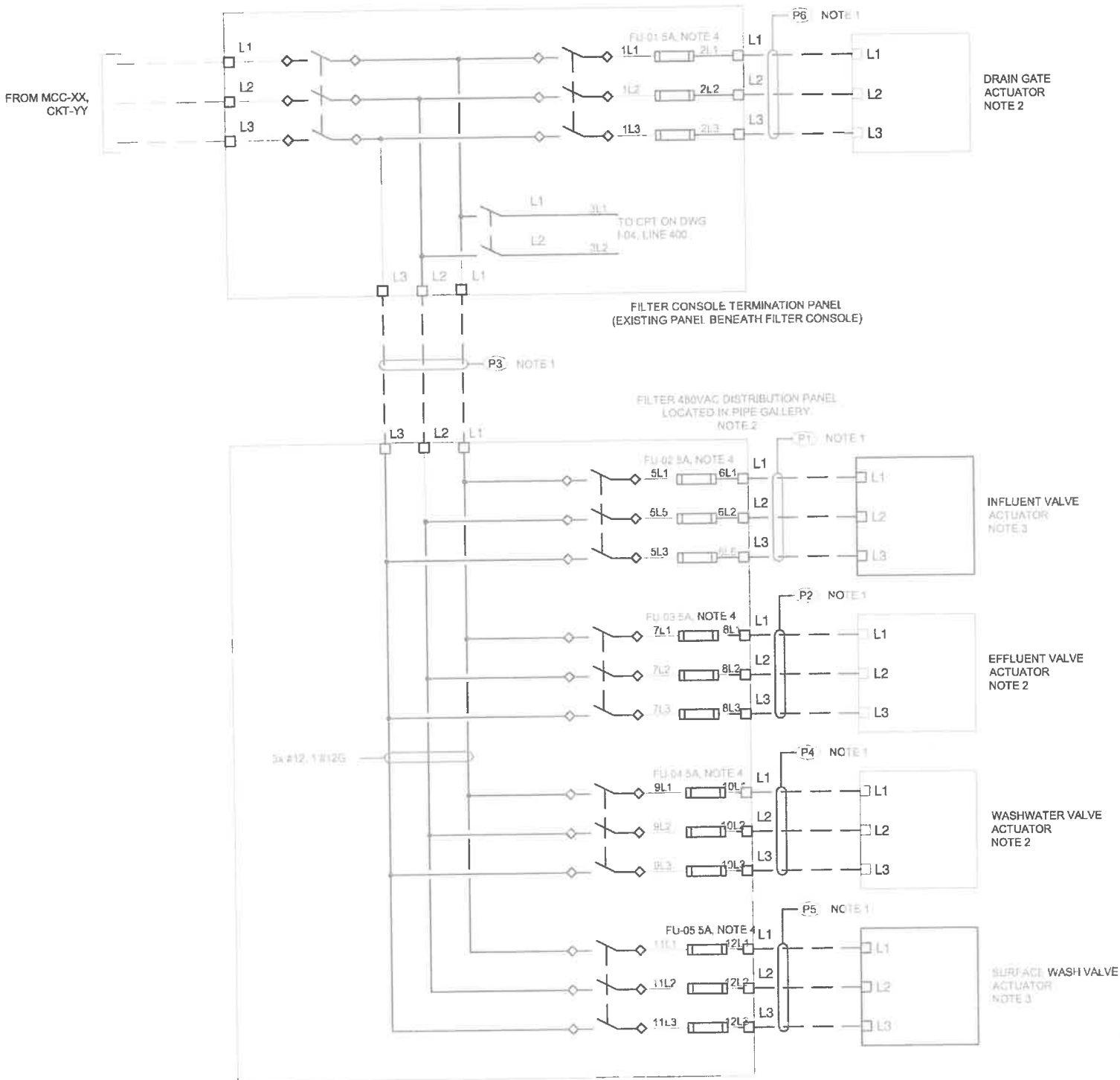
Ottawa Water Treatment Plant Terminals

ITEM #	QTY	PART NO	DESCRIPTION
1	150	3044542	Phoenix UT2,5 Quattro 4 Tier Terminal.
2	4	3047170	Phoenix D-UT 2,5/4 Quattro Cover
3	9	3047196	Phoenix ATP-UT Quattro Partition
4	32	3044636	Phoenix UTTB 2,5 Two Tier Terminal
5	2	3047293	Phoenix D-UTTB 2,5/4 Two Tier Cover
6	1	3047316	Phoenix ATP-UTTB 2,5/4 Two Tier Partition
7	6	#0800886	Phoenix E/NS 35 N End Bracket
8	18	3030161	Phoenix Plug-In bridge 2 position.FBS 2-5
9	2	3030174	Phoenix Plug-In bridge 3 position FBS 3-5
10	4	3030187	Phoenix Plug-In bridge 4 position FBS 4-5
11	3	3030190	Phoenix Plug-In bridge 5 position FBS 5-5
12	2	3030213	Phoenix Plug-In bridge 10 position FBS-10-5
13	20	#0828734	Phoenix 72 terminal label cards UCT-TM 5
14	1	3003046	Phoenix TP-UK 3 Tier Partition
15	7	3214259	Phoenix UT 2,5-3L 3 Tier Terminal
16	16	3046100	Phoenix UT 4-HESILA250 Ac Fuse blocks
17	10	3074172	Phoenix UT 4-HESED 24 Dc Fuse blocks
18	1	916609	Phoenix UT 6-TMC M 8A
19	3m	#0801681	Phoenix NS 35/7,5
20	1	6740500	Rittal Enclosure One-Piece Console
21	2	5001224	Rittal 1200W-175D Gland Plate
22	1	8601000	Rittal TS Plinth Elements
23	1	8601040	Rittal TS Plinth Trim
24	1	8602000	Rittal TS Plinth Elements
25	1	8602040	Rittal TS Plinth Trim
26	2	LP-CC-5 6/10	Cooper Bussmann Inc Fuse Low Peak Delay
26A	1	CHCC21	Cooper Bussmann Inc Fuseholder CC 2 pole w/Ind.
27	1	FNM-15	Cooper Bussmann Inc Fuse Midget
28	1	9070TF1500D1	Square D Transformer Control 1500VA
29	1	S500-10-R	Cooper Bussmann Cartridge Fuse 10 Amp 5x20
30	10	S500-1-R	Cooper Bussmann Cartridge Fuse 1 Amp 5x20
			Cooper Bussmann Cartridge Fuse 2 Amp SloBlo 5x20
31	5	S505-2-R	Cooper Bussmann Cartridge Fuse 5 Amp SloBlo 5x20
32	4	S500-5-R	Cooper Bussmann Cartridge Fuse 5 Amp SloBlo 5x20
33	7	700HF34A1	Allen Bradley Relay 4DPDT 120 VAC
34	1	700HF34Z24	Allen Bradley Relay 4DPDT 24 VDC
35	8	700HN139	AllenBradley Relay Socket
36	1	1783-US8T	Allen Bradley 8 port Switch

37	12	F1.5X4LG6	Panduit Narrow Slot Duct PVC 1.5W X 6F
38	12	C1.5LG6	Panduit Duct Cover PVC 1.5W X 6F
39	1	BN1350M2	APC UPS 1350VA /810W Office Depot #9817382
40	1	GBK1420	Eaton 14 Circuit Ground Bar Kit w 2/0 lug
41	1	IC695PSA040	Ge Fanuc Base Power Supply
42	1	IC695CHS007	GE Fanuc 7 Slot Remote Rack PCI and Serial bus
43	1	IC694ALG442	GE Fanuc Mixed Analog Card
44	1	IC694MDL260	GE Fanuc Discrete Input Card 32 point 120 VAC
45	1	IC694MDL916	Ge Fanuc Discrete Output Card 16 point relay
46	1	IC694PNS001	GE Fanuc Profinet Scanner Module
47	1	ML100.100	Puls Power Supply 24 VDC
		"Operator Layout"	
51	1	IC755CSS12CDB	GE Fanuc Quickpanel 12"
52	1	PCU10307	Red Lion Flow Controller, Local Indication, MVP
53	1	9001KS46BH2	Square D three position selector
54	2	9001KS11BH2	Square D two position selector
55	2	9001KT38LGG31	Square D Pilot Light Green
56	2	9001KT38LRR31	Square D Pilot Light Red
		Terminal Label Printer	Only one needed for total build
		Phoenix Contact #5148888	THERMOMARK PRIME thermal transfer card printer for

NOTES:

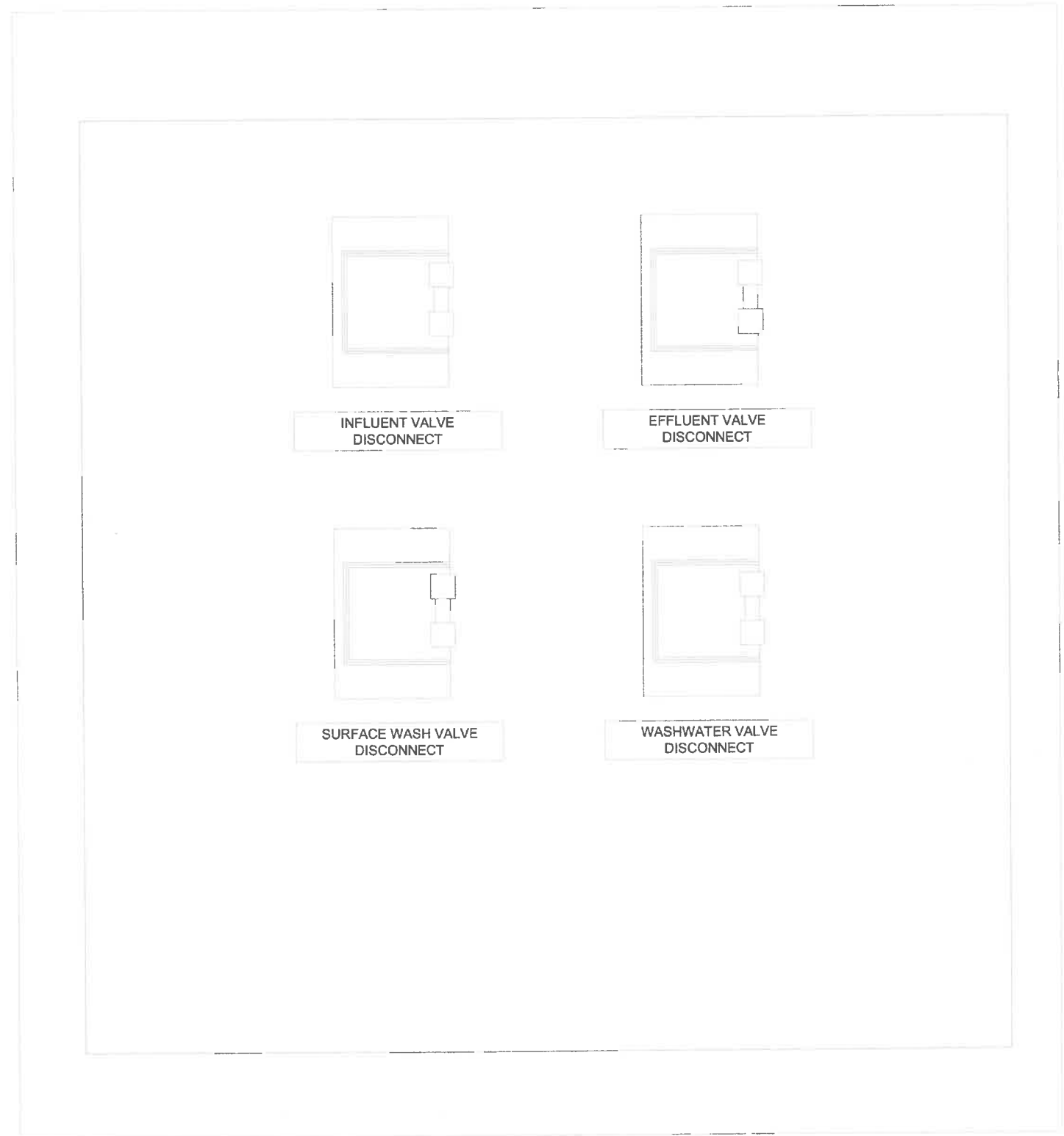
1. REFER TO DRAWING E-02 FOR CONDUIT AND CONDUCTOR SCHEDULE
2. EXISTING EQUIPMENT.
3. NEW EQUIPMENT AND MATERIALS TO BE PROVIDED BY DWYER
4. ACTUATOR POWER REQUIREMENTS AND FUSE SIZES TO BE FIELD VERIFIED



FILTER 480VAC POWER DISTRIBUTION TYPICAL FOR 16 FILTERS

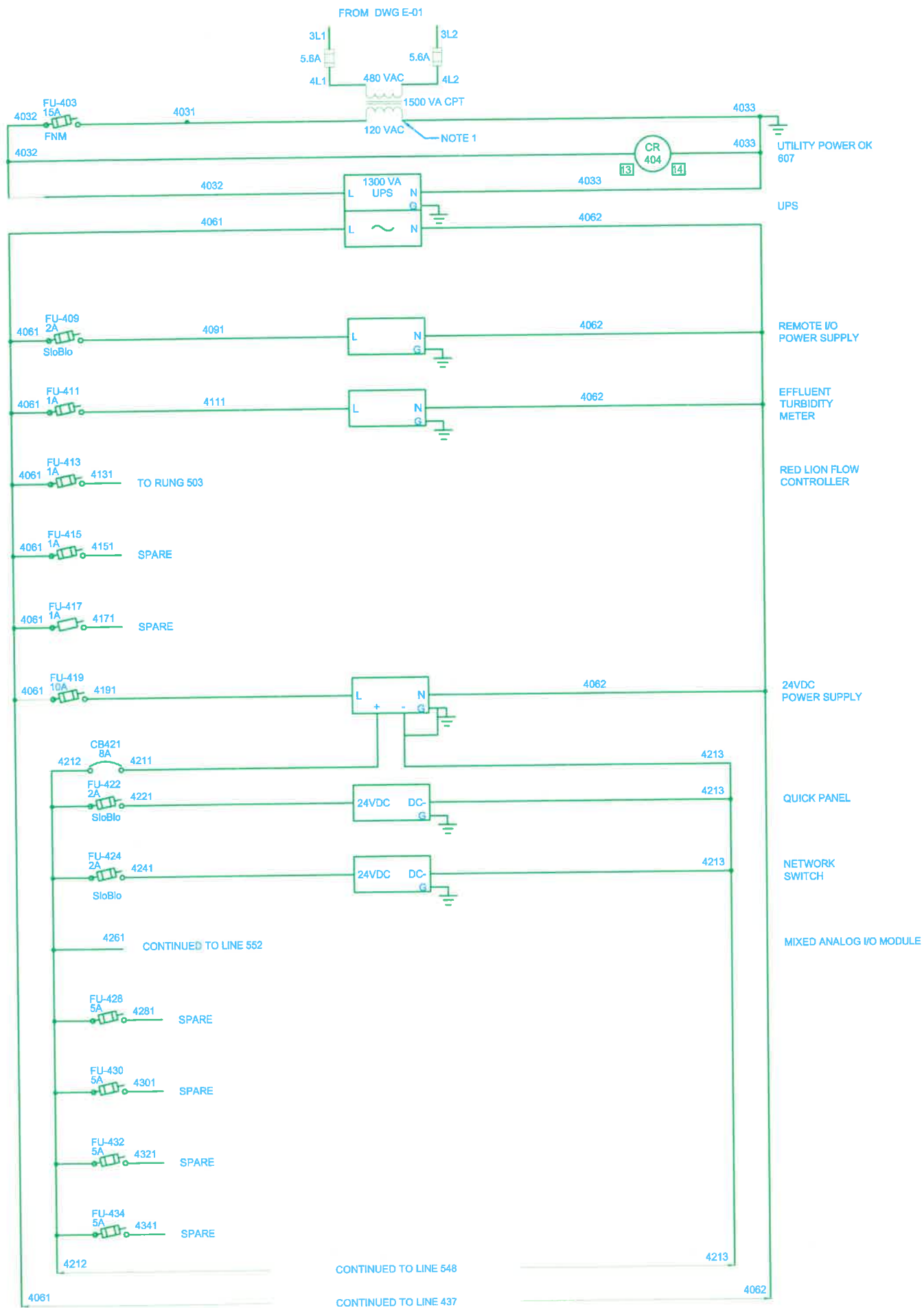
SYMBOL LEGEND

- TERMINATION POINT FOR FIELD WIRING
- ◇ EQUIPMENT MOUNTED TO ENCLOSURE DOOR



EXISTING FILTER 480VAC POWER DISTRIBUTION ENCLOSURE LAYOUT - TYPICAL FOR 16 FILTERS

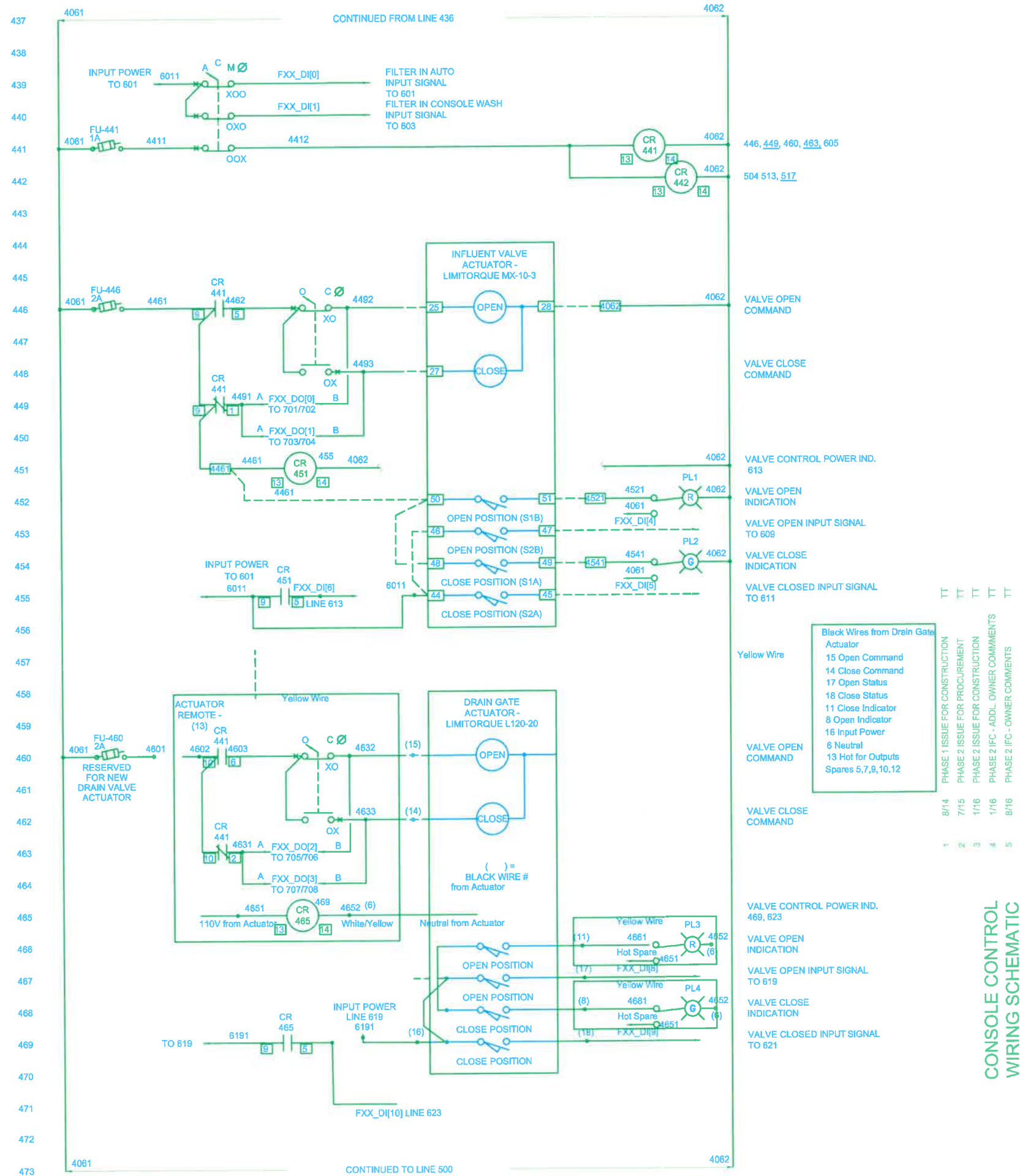
10/4 - PHASE 1 BUS/FEED DISTRIBUTION
 10/5 - PHASE 2 BUS/FEED DISTRIBUTION
 10/6 - PHASE 3 BUS/FEED DISTRIBUTION



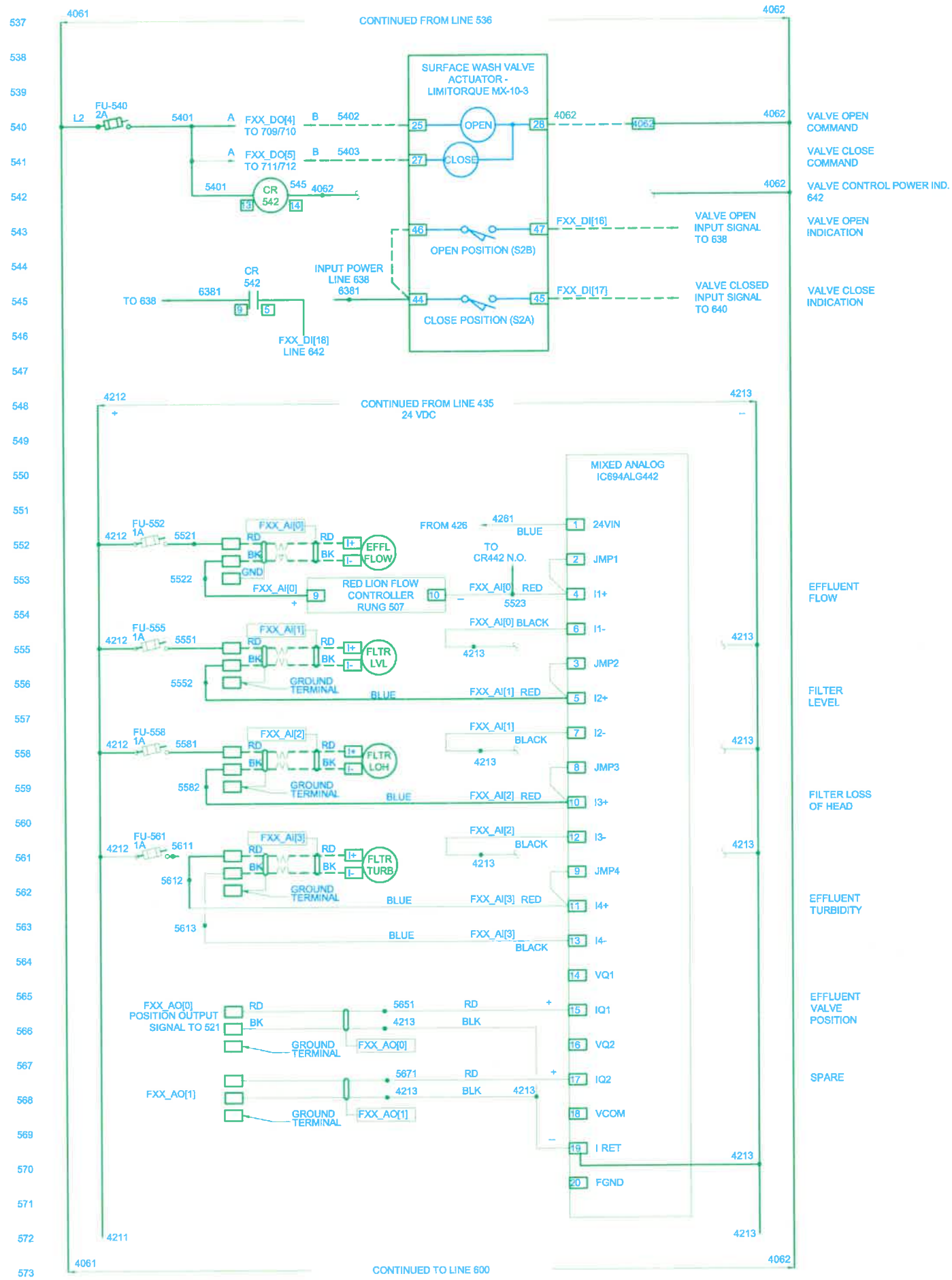
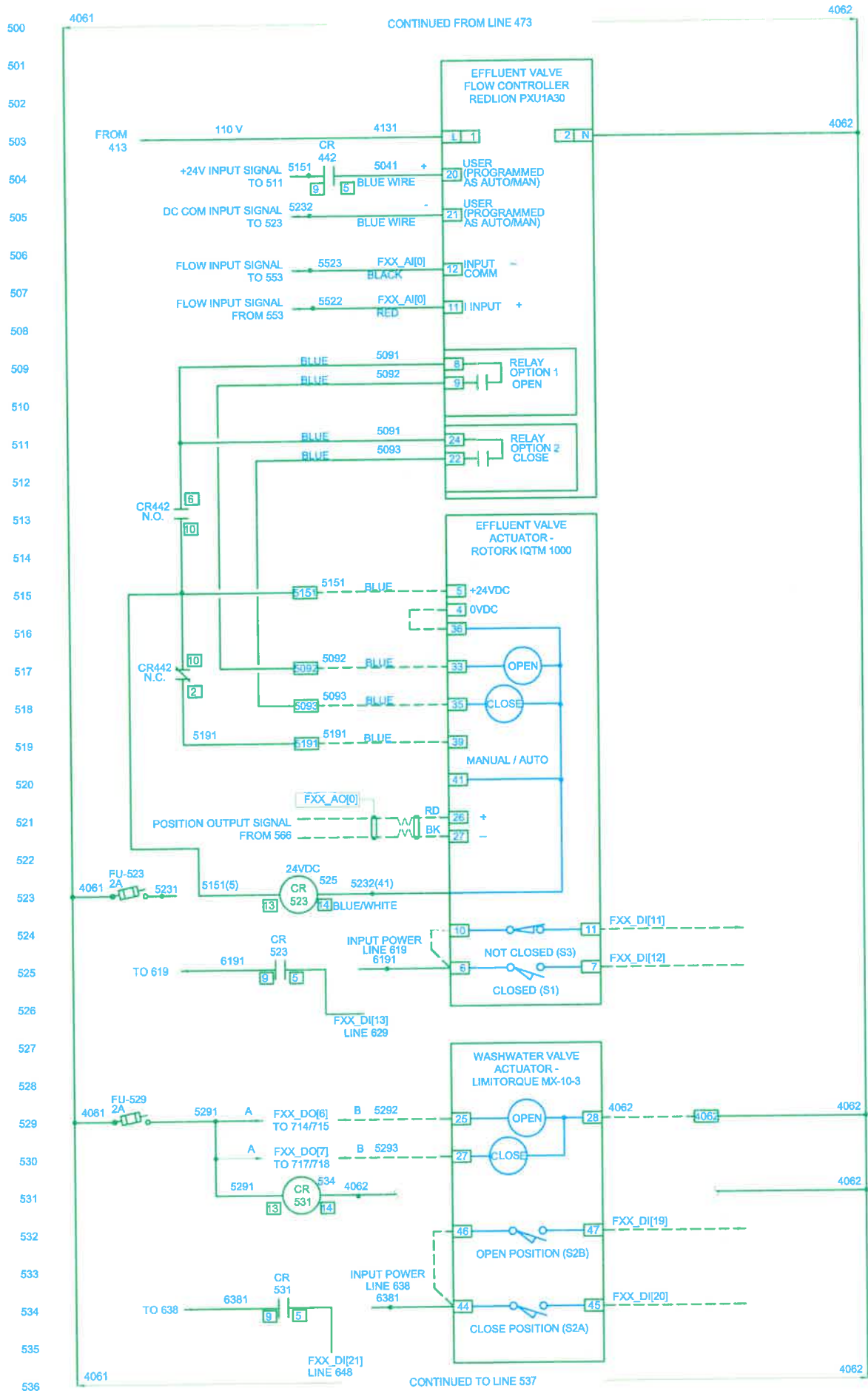
FILTER CONSOLE CONTROL WIRING

NOTES:

- CPT TO BE LOCATED IN EXISTING ENCLOSURE UNDERNEATH FILTER CONSOLE TABLE.



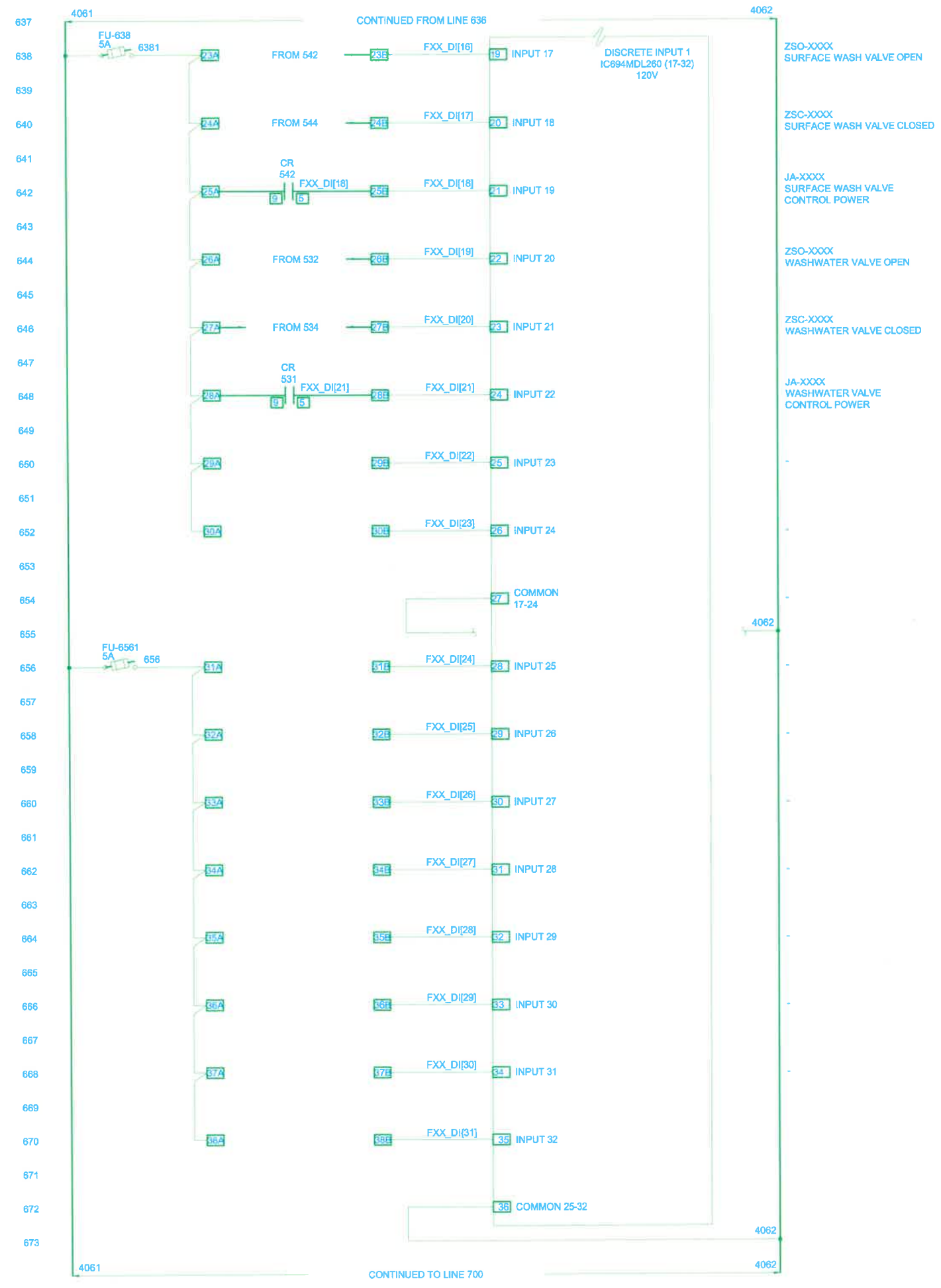
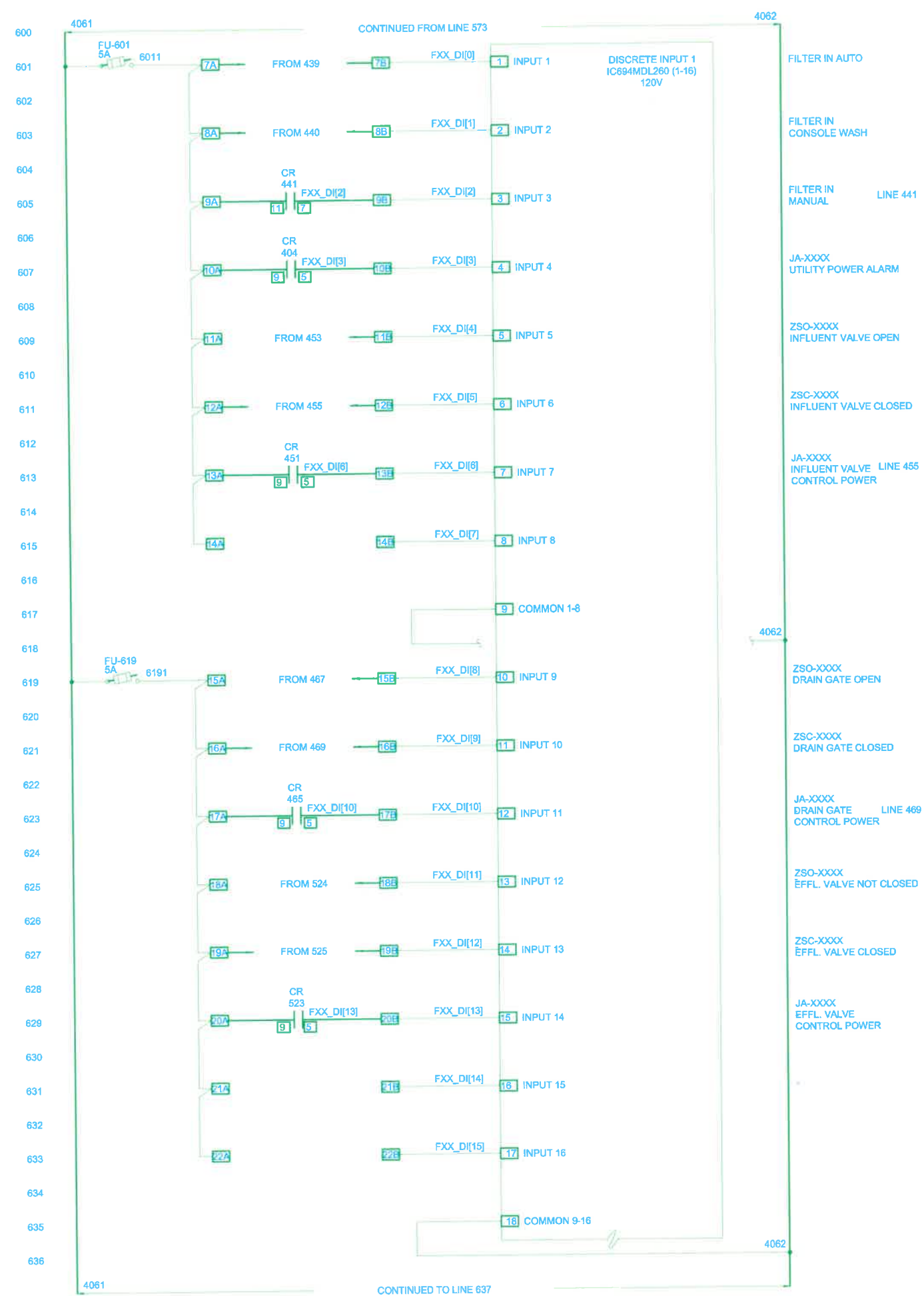
FILTER CONSOLE CONTROL WIRING



1	8/14	PHASE 1 ISSUE FOR CONSTRUCTION
2	7/15	PHASE 2 ISSUE FOR PROCUREMENT
3	1/16	PHASE 2 ISSUE FOR CONSTRUCTION
4	1/16	PHASE 2 IFC - ADDL. OWNER COMMENTS
5	8/16	PHASE 2 IFC - OWNER COMMENTS

TT
 CS
 DRH

CONSOLE CONTROL WIRING SCHEMATIC 2 OF 4



TT	TT	TT	TT	TT
1	8/14	PHASE 1 ISSUE FOR CONSTRUCTION		
2	7/15	PHASE 2 ISSUE FOR PROCUREMENT		
3	1/16	PHASE 2 ISSUE FOR CONSTRUCTION		
4	1/16	PHASE 2 IFC - ADDL. OWNER COMMENTS		
5	8/16	PHASE 2 IFC - OWNER COMMENTS		

CONSOLE CONTROL
WIRING SCHEMATIC
3 OF 4

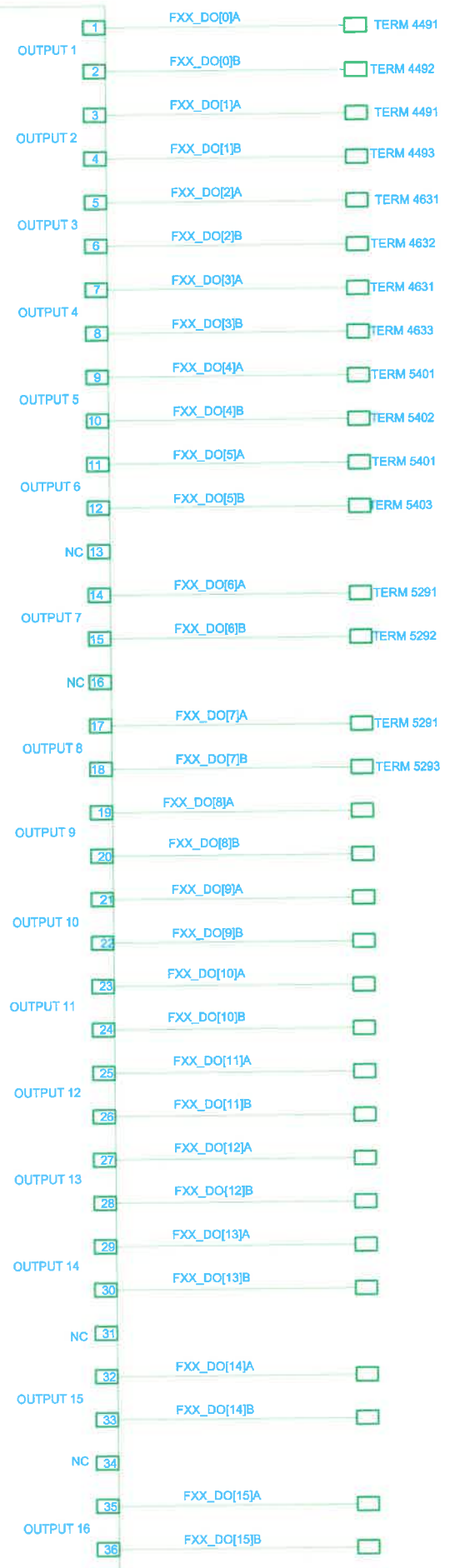
TT
C/L
BRN

4061

CONTINUED FROM LINE 673

4062

DISCRETE OUTPUT 1
IC894MDL916



ZCO-XXXX
INFLUENT VALVE OPEN CMD
449

ZCC-XXXX
INFLUENT VALVE CLOSE CMD
450

ZCO-XXXX
DRAIN GATE OPEN CMD
463

ZCC-XXXX
DRAIN GATE CLOSE CMD
464

ZCO-XXXX
SURFACE WASH VALVE OPEN CMD
540

ZCC-XXXX
SURFACE WASH VALVE CLOSE CMD
541

ZCO-XXXX
WASHWATER VALVE OPEN CMD
529

ZCC-XXXX
WASHWATER VALVE CLOSE CMD
530

737

CONTINUED FROM LINE 736

4061

4062

738

739

740

741

742

743

744

745

746

747

748

749

750

751

752

753

754

755

756

757

758

759

760

761

762

763

764

765

766

767

768

769

770

771

772

773

Issue No.	Issue Description
1	8/14 PHASE 1 ISSUE FOR CONSTRUCTION
2	7/15 PHASE 2 ISSUE FOR PROCUREMENT
3	1/16 PHASE 2 ISSUE FOR CONSTRUCTION
4	1/16 PHASE 2 IFC - ADDL. OWNER COMMENTS
5	8/16 PHASE 2 IFC - OWNER COMMENTS

4 OF 4

CONSOLE CONTROL
WIRING SCHEMATIC

4061

CONTINUED TO LINE 737

4062